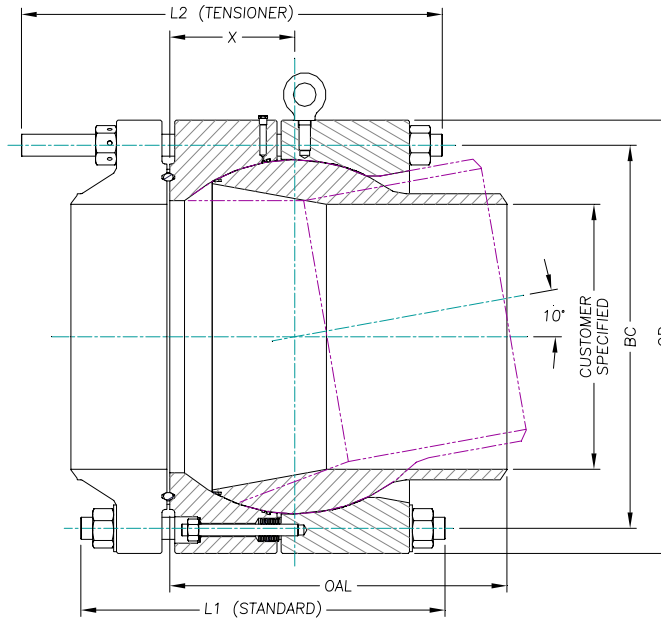




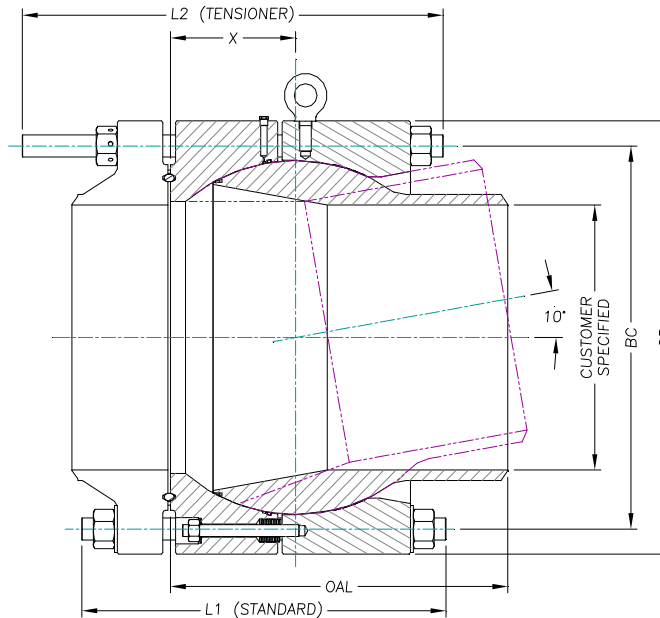
FLANGE-MATE™ FLANGE Misalignment Connector 600 ANSI FLANGE DIMENSIONS



Nom. Size	ANSI Class	Outside Diameter	Overall Length	RTJ Face to CL	Stud Data					Weight (lbs)	RTJ No.
					Bolt Circle	Stud Size	Stud Qty.	Standard Length	Tensioner Length		
		OD (in)	OAL (in)	X (in)	BC (in)	(in)	(in)	L1 (in)	L2 (in)		
4	600	10.75	11.02	3.86	8.5	7/8	8	6.5	13	200	37
6	600	14	13.92	4.84	11.5	1 1/8	12	9	15.5	417	45
8	600	16.5	15.55	5.41	13.75	1 1/8	12	10.5	17	625	49
10	600	20	18.06	6.61	17	1 1/4	16	14	20.5	703	53
12	600	22	19.42	13.02	19.25	1 1/4	20	20	26.5	1285	57
14	600	23.75	20.88	7.58	20.75	1 3/8	20	21.5	28	1302	61
16	600	27	22.72	8.61	23.75	1 1/2	20	24.5	31	2359	65
20	600	32	26.28	9.86	28.5	1 5/8	24	25.5	32	2388	73
22	600	34.25	27.99	10.43	30.63	1 3/4	24	29	35.5	2735	81
24	600	37	29.64	10.98	33	1 7/8	24	30.5	37	3287	77
30	600	44.5	33.59	13.14	40.25	2"	28	36.5	43	5406	95
36	600	52	33.22	14.33	47	2 1/2	28	40	47	7500	98



FLANGE-MATE™ FLANGE Misalignment Connector 900 ANSI FLANGE DIMENSIONS



Nom. Size	ANSI Class	Outside Diameter	Overall Length	RTJ Face to CL	Stud Data					Weight (lbs)	RTJ No.
					Bolt Circle	Stud Size	Stud Qty.	Standard Length	Tensioner Length		
					BC (in)	(in)		L1 (in)	L2 (in)		
4	900	11.50	12.02	4.16	9.25	1 1/8	8	8.00	14.50	267	37
6	900	15.00	15.09	5.38	12.50	1 1/8	12	10.50	17.00	552	45
8	900	18.50	17.69	6.38	15.50	1 3/8	12	20.00	26.50	1004	49
10	900	21.50	19.91	7.50	18.50	1 3/8	16	22.00	28.50	1490	53
12	900	24.00	21.70	8.30	21.00	1 3/8	16	23.00	29.50	1590	57
14	900	25.25	23.00	8.73	22.00	1 1/2	20	24.00	30.50	1397	62
16	900	27.75	24.23	9.23	24.25	1 5/8	20	25.50	32.00	1841	66
18	900	31.00	27.00	10.02	27.00	1 7/8	20	29.00	35.50	2463	70
20	900	33.75	28.73	10.70	29.50	2"	20	30.50	37.00	3954	74
24	900	41.00	34.19	12.95	35.50	2 1/2	20	38.00	45.00	5327	78
30	900	48.50	37.03	14.88	42.75	3"	20	43.00	51.50	7847	102
36	900	57.50	39.72	17.31	50.75	3 1/2	20	50.00	59.00	12720	105